

23/25-82

EF 35~350 mm f/3.5-5.6 L
Ultrasonic Zoom Lens
Instructions

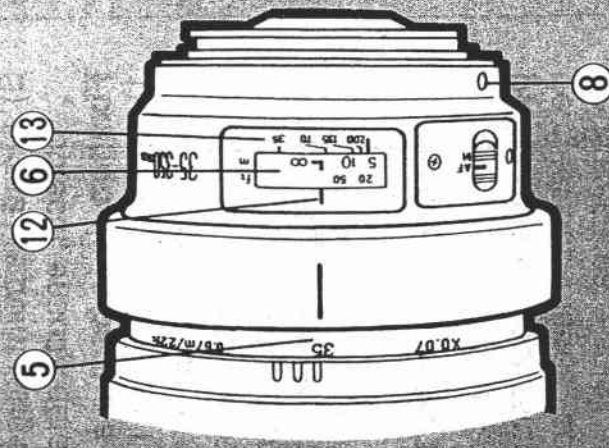
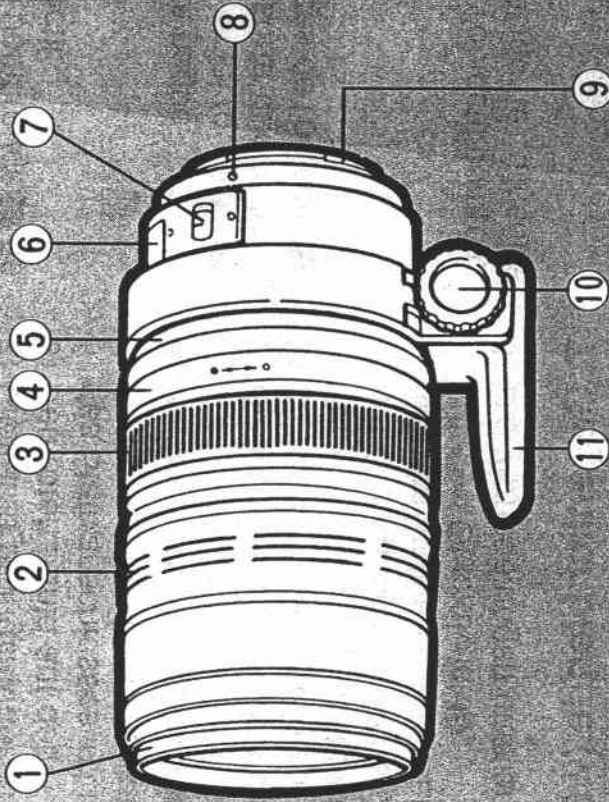
Canon



**ENGLISH-TEXT
PAGES ONLY**

Nomenclature

- ① Hood Attachment Bayonet
- ② Zooming Ring
- ③ Manual Focusing Ring
- ④ Drag Adjustment Ring
- ⑤ Zoom Position Index
- ⑥ Distance Scale Window
- ⑦ Focus Mode Switch
- ⑧ Red Dot
- ⑨ Electronic Contacts
- ⑩ Lock Nut
- ⑪ Tripod Mount
- ⑫ Distance Index
- ⑬ Infrared Index



Exclusively designed for EOS cameras, the Canon EF 35~350 mm f/3.5-5.6 L USM is a high-performance autofocus zoom lens incorporating an Ultrasonic Motor (USM) for high-speed, high-torque autofocusing. Its compact size and extraordinarily long zoom range make this lens well-suited to applications requiring maximum mobility and focal length flexibility, such as sports and nature photography.

- The "L" designation indicates extra-high lens performance from special construction.

Features

1. Offers the highest zoom ratio of any SLR interchangeable lens despite its compact size.
2. Ultrasonic motor realizes fast and quiet autofocusing.
3. Drag adjustment ring allows the zooming ring to be adjusted for smoother or tighter operation.

1. Mounting and Dismounting

Mounting Onto the Camera

- 1) To remove the rear dust cap, turn it counterclockwise until stops, then pull it up ❶.
- 2) Align the red dot on the lens with the red dot above the camera mount ❷, then turn the lens clockwise until it stops with a click.
- 3) Remove the front lens cap.
 - Be sure to keep the lens' electronic contacts clean to ensure proper connection, and be sure to keep the lens surface clean for correct autofocus.

Dismounting

To dismount the lens, hold in the lens release button on the camera and turn the lens counterclockwise until it stops, then pull the lens off ❸.

- Be sure to place the lens with its front end down to avoid damaging the electronic contacts.

2. Selecting the Focus Mode

To use the autofocus mode, slide the focus mode switch to AF ❹.

For manual focusing, slide the switch to M and rotate the manual focusing ring.

- When the camera is set to One-shot AF mode, you can operate the manual focusing ring after autofocusing is completed without switching the focus mode switch to M. However, do not touch the manual focusing ring during autofocusing.

3. Zooming

Slide the zooming ring forward or backward to zoom to the desired focal length ⑥.

- Do not change the focal length after focusing the subject.

Using the Drag Adjustment Ring

Operation of the zooming ring can be made smoother or tighter by holding the manual focusing ring fixed and turning the drag adjustment ring in the direction shown in ⑥-b (smoother) or ⑥-a (tighter). Turning even further in the ⑥-a (tighter) direction will lock the zooming ring at the current position.

- Adjusting or locking the zooming ring has no effect on the operation of the manual focusing ring.
- When finished taking pictures, tighten the drag adjustment ring sufficiently to prevent movement of the lens barrel.

4. Aperture Setting

Set the aperture by turning the camera's electronic input dial.

Aperture values between f/3.5 and f/5.6 vary according to focal length.* However, the electronically controlled diaphragm maintains a constant aperture value regardless of focal length when the aperture is set to f/5.6 or smaller.

- * No special operation is required when using the camera's exposure metering system.

5. Infrared Index

The red scale on the outside of the distance scale window is the infrared index. Use this index for adjusting the focus when using black-and-white infrared film. Make sure a red filter is attached to the lens.

After focusing normally, read the distance indicated in the distance scale window, then turn the manual focusing ring slightly so that that distance reading aligns with the infrared index of the number equal to the current focal length ⑦.

- When adjusting the focus, set the focus mode switch to M before turning the manual focusing ring. Manual focusing is also possible after the subject is focused when the camera is set to One-shot AF mode.
- The lens' infrared index is scaled with reference to an infrared wavelength of 800 nm. Since the scale reference may differ depending on the type of black-and-white infrared film, we recommend taking several frames while slightly shifting the focusing distance for each shot.
- When using infrared film, be sure to read the instructions supplied with the film before shooting.
- Infrared film can be used in any EOS camera other than the EOS 100/Elan or the EOS 5/A2.

6. Tripod Mount

The tripod mount is used to attach the lens to a tripod. By loosening the lock nut you can rotate the camera for vertical or horizontal shooting.

Always remove the camera from the lens before attaching or removing the tripod mount.

Removing the Tripod Mount from the Lens

- 1) Remove the camera from the lens ③.
- 2) Loosen the tripod mount's lock nut ⑧.
- 3) Align the tripod mount's red dot with the lens' red dot ⑨, then pull the tripod mount off the lens.

Attaching the Tripod Mount to the Lens

- 1) Remove the camera from the lens ⑨.
- 2) Loosen the tripod mount's lock nut.
- 3) Align the tripod mount's red dot with the lens' red dot ⑩, then turn the tripod mount so that the black line on the mount lines up with the distance scale index on the lens ⑪.
- 4) Tighten the lock nut.

7. Hood (supplied)

The hood guards the front part of the lens against rain, snow, dust and stray light which may cause flare and ghost images. To attach the hood, align the hood's attachment position mark with the red dot on the front of the lens ⑫, then turn the hood clockwise until the lens' red dot is aligned with the hood's stop position mark ⑬.

- Part of the picture may be blocked if the hood is not attached properly.
- The hood can be reverse-mounted on the lens for storage.

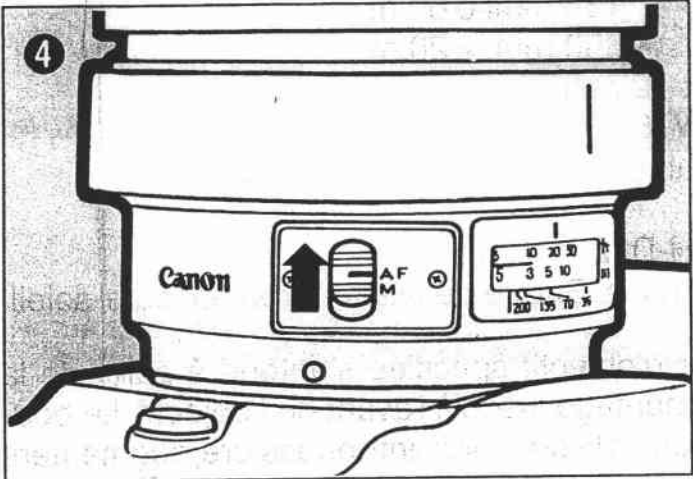
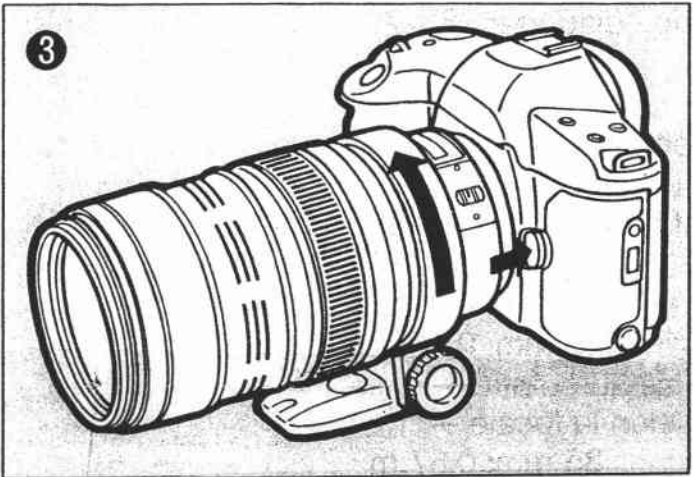
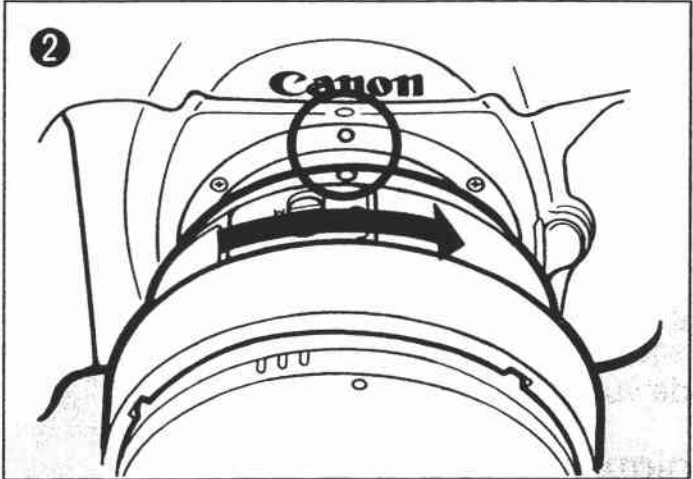
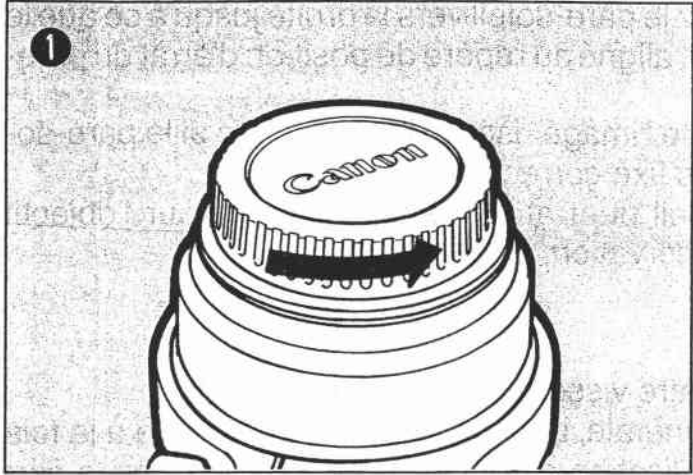
8. Filters (sold separately)

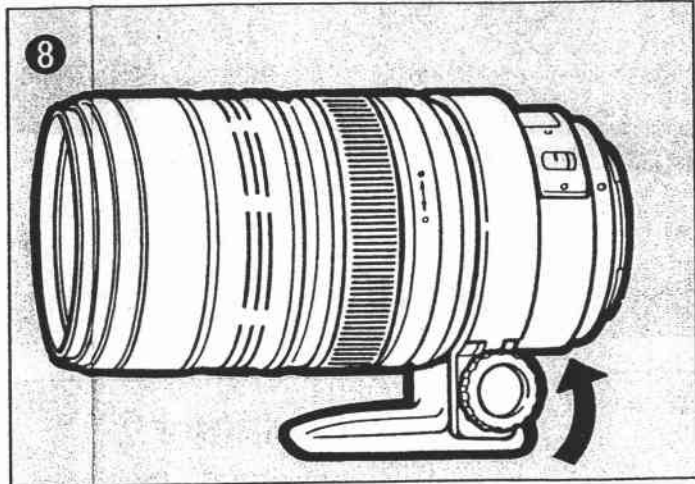
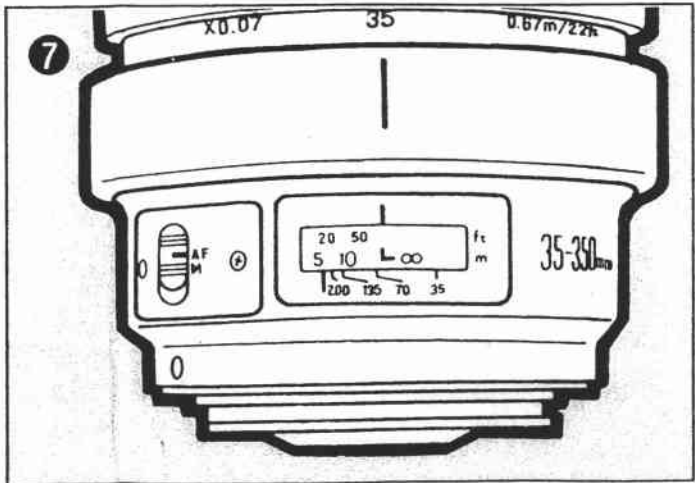
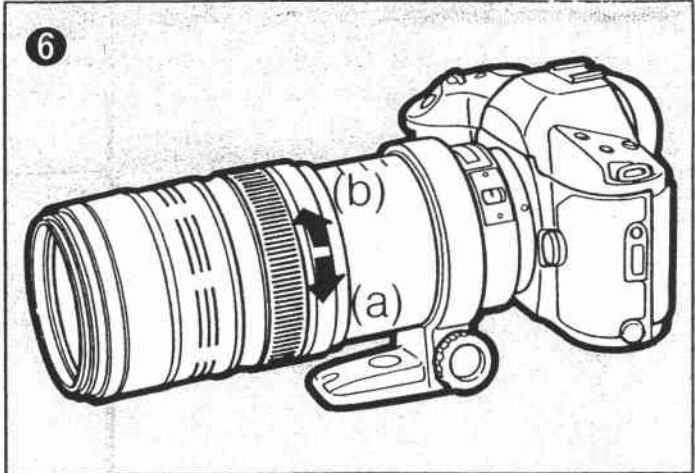
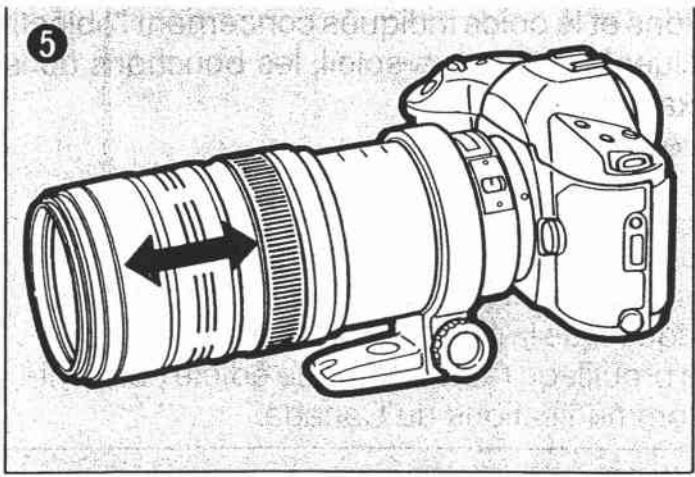
A filter can be screwed onto the front of the lens.

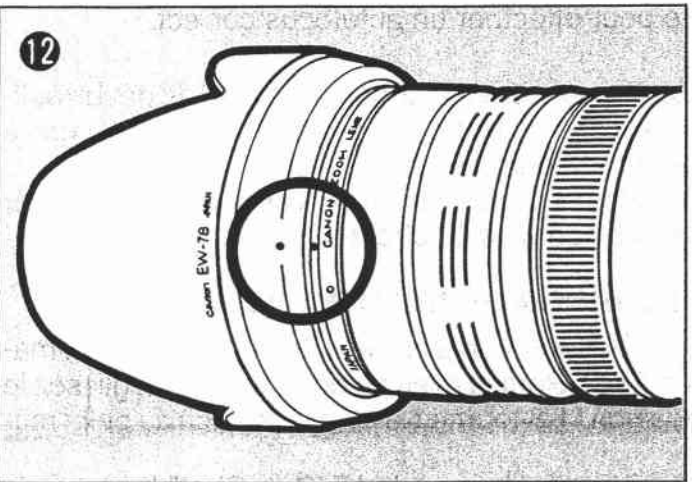
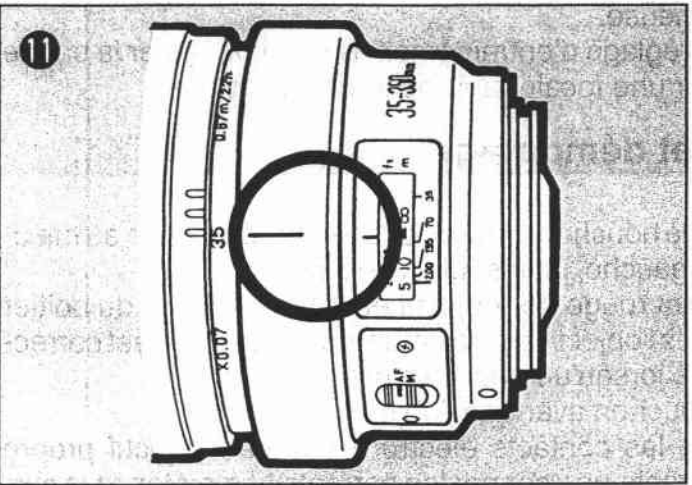
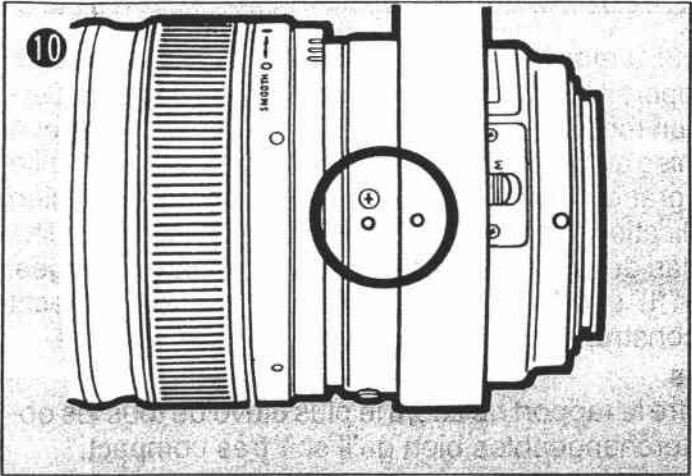
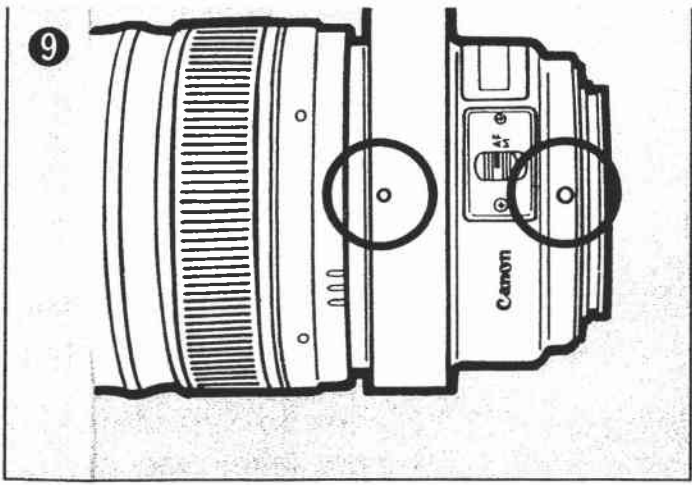
- As a rule, only one filter should be used at a time.
- When using a polarizing filter, use the Canon Circular Polarizing Filter PL-C to ensure proper autofocus. A polarizing filter cannot be used with the hood attached.

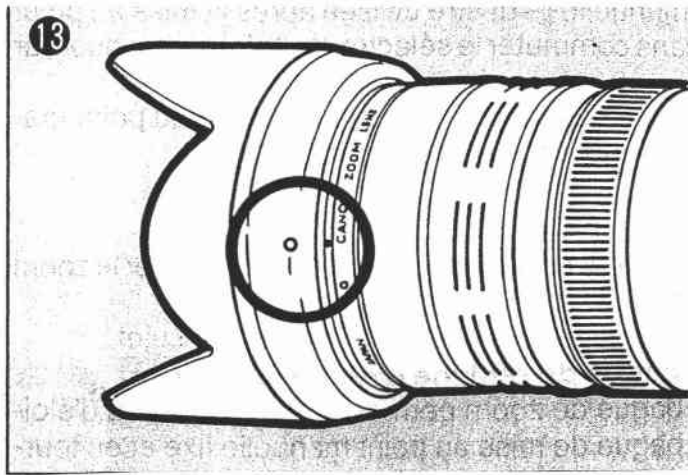
Usage Precautions

1. Extenders EF2X and EF1.4X cannot be used with this lens.
2. In the 135~350 mm focal length range, the distance scale may not show the actual distance when shooting at close distances ⑭.



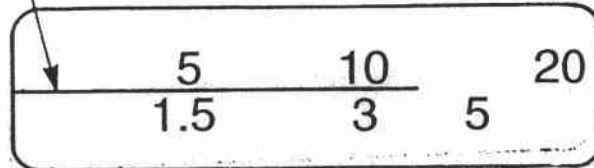






14

- 至近フォーカス補正領域
- Close focusing compensation range indicator
- Témoin de plage de compensation de mise au point rapprochée
- Kompensierte Entfernungsanzeige für die Fokussierung im Nahbereich
- Indicador de gama de compensación para enfoque de primer plano



Specifications

Angle of View: Diagonal 63°~7°

Vertical 38°~4°

Horizontal 54°~6°

Lens Construction: 15-21

Minimum Aperture: 22~34

Maximum Magnification and Field of View:

35 mm: 0.07X/330 x 495 mm

135 mm: 0.25X/96 x 144 mm

350 mm: 0.15X/165 x 247 mm

Closest Focusing Distance:

Varies according to focal length —

35 mm: 0.67 m/2.2 ft

135 mm: 0.60 m/2.0 ft

350 mm: 2.20 m/7.2 ft

Filter Diameter: 72 mm

Hood: EW78

Length x Max. Diameter: 167.4 x 85 mm

Weight: 1350 g

Case (Hard): LH-D22

Supplied Accessories: Tripod Mount, Hood

* The specified lens length is from the mount surface to the front of the lens. The lens cap and dust cap add 17 mm to the total length.

* Dimensions and weight are for the lens alone and do not include the hood, caps or tripod mount.

* Specifications are subject to change without notice.

This device complies with Part 15 of the FCC Rules. Operation is subject to the following two conditions: (1) This device may not cause harmful interference, and (2) this device must accept any interference received, including interference that may cause undesired operation.

Do not make any changes or modifications to the equipment unless otherwise specified in the instructions. If such changes or modifications should be made, you could be required to stop operation of the equipment.

This equipment has been tested and found to comply with the limits for a class B digital device, pursuant to part 15 of the FCC Rules. These limits are designed to provide reasonable protection against harmful interference in a residential installation. This equipment generated, uses and can radiate radio frequency energy and, if not installed and used in accordance with the instructions, may cause harmful interference to radio communications.

However, there is no guarantee that interference will not occur in a particular installation. If this equipment does cause harmful interference to radio or television reception, which can be determined by turning the equipment off and on, the user is encouraged to try to correct the interference by one or more of the following measures:

- Reorient or relocate the receiving antenna.
- Increase the separation between the equipment and receiver.
- Consult the dealer or an experienced radio/TV technician for help.